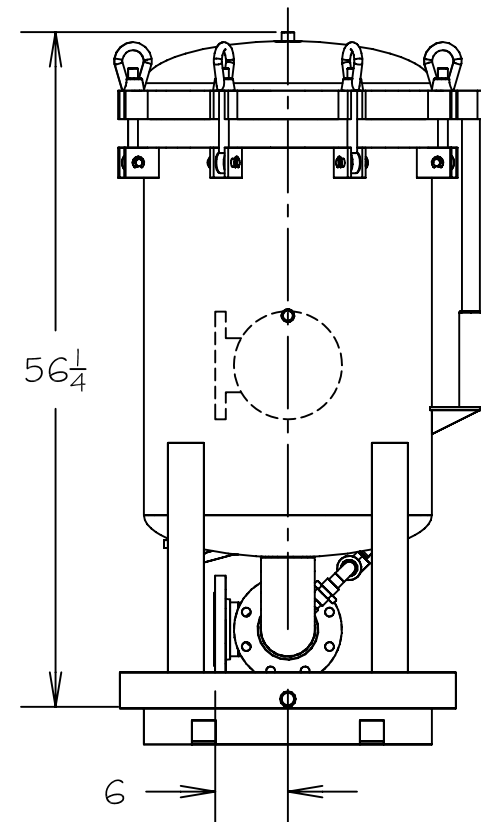
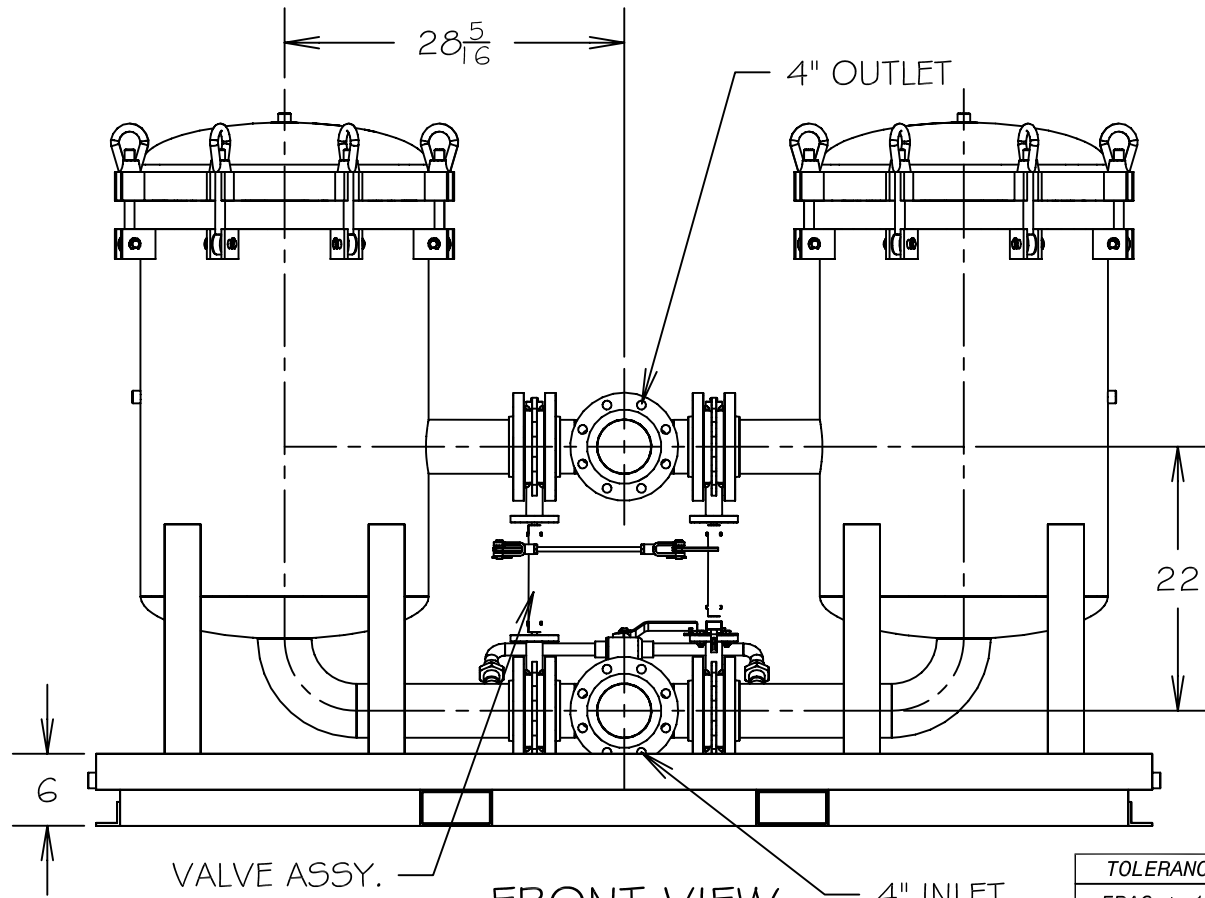



TOP VIEW



SIDE VIEW



FRONT VIEW

		<b>CUSTOM SERVICE &amp; DESIGN INC.</b>	
DRN. 1J1 DATE 3/10/06		DESCRIPTION: <b>DUPLEXED 6 BAG VESSEL WITH 4" FLANGED PORTS</b>	
TOLERANCE FRAC ± 1/4 .000 ± .005 .0000 ± .0005		PART NO. <b>D02412308L040F3BC</b>	
SCALE 3/4"=12"		NOTICE: SCALE ON "A" SIZE PLOTS ONLY	