



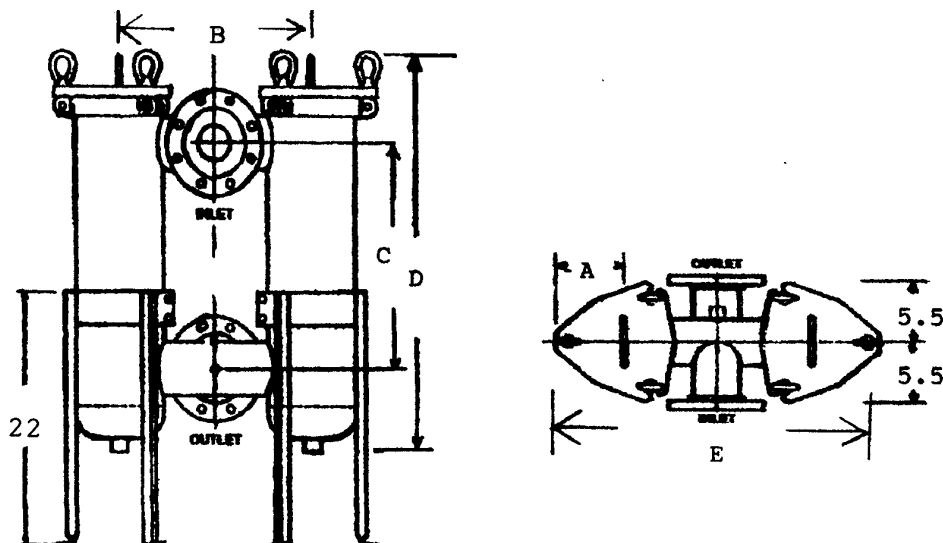
Custom Service & Design, Inc.

P.O. Box 214923
AUBURN HILLS, MI 48321

PHONE: 248.340.9005
FAX: 248.340.9002

WWW.CUSTOMSERVICEANDDESIGN.COM

**VESSEL SPECIFICATION DUAL
BULLETIN: 08802-08**



CONNECTION SIZE: FLG.	A	B	C	D	E	FACE TO FACE
2"	6.8	19.25	22	44.25	26.5	11
3"	6.8	19.25	22	44.25	26.5	13.25
4"	6.8	19.25	22	44.25	26.5	14.75

STANDARD FEATURES:

- ⇒ DUAL 08 VESSELS WITH COMMON CONNECTIONS
- ⇒ CARBON STEEL
- ⇒ 304 STAINLESS STEEL
- ⇒ STAINLESS STEEL RESTRAINER BASKET
- ⇒ 150 PSI PRESSURE RATING
- ⇒ 1/4" VENT PORTS
- ⇒ 1/4" GAUGE PORTS
- ⇒ 1" NPT DRAIN PORTS
- ⇒ SIDE IN / OPPOSITE SIDE OUT
- ⇒ FLANGED INLET/OUTLET CONNECTIONS
- ⇒ BUNA SEALS
- ⇒ TRIPOD LEGS (ADJUSTABLE)
- ⇒ STANDARD #2 BAGS

OPTIONS:

- ⇒ INLET / OUTLET LOCATIONS
- ⇒ MANUAL / AUTOMATIC DUPLEXING
- ⇒ O-RING / SEAL MATERIALS
- ⇒ BASKET PERFORATION / MESH SIZES
- ⇒ SPECIALTY VESSELS

