



Custom Service & Design, Inc.

P.O. Box 214923
AUBURN HILLS, MI 48321

PHONE: 248.340.9005
FAX: 248.340.9002

WWW.CUSTOMSERVICEANDDESIGN.COM

MULTI BAG LINE
BULLETIN: MB-08-1

MULTI BAG VESSEL LINE

CSD's Multi-Bag Vessel design is setting new standards in the filtration industry.

Utilizing Industry Standard Bag & Cartridge sizes maintaining 150 PSI rating.

CSD's state-of-the-art vessel is the most competitively priced vessel on the market.

CSD VESSELS ARE
AMERICAN MADE & INDUSTRIAL GRADE
ENSURING QUALITY & SAFETY



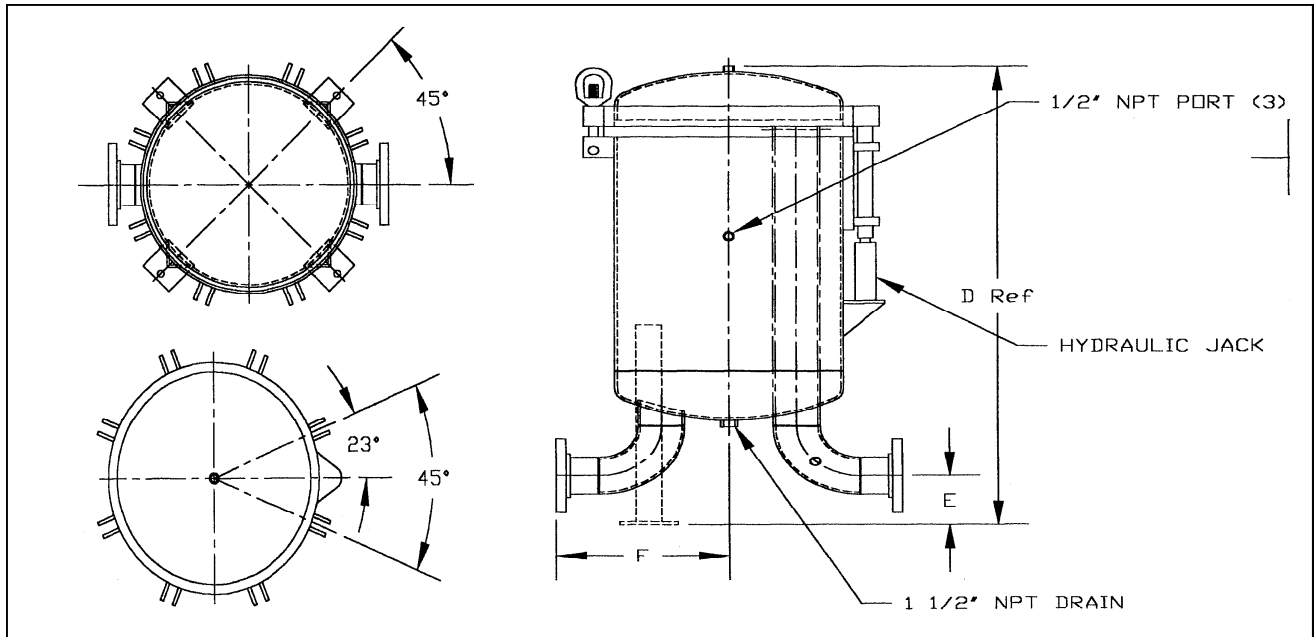
STANDARD FEATURES:

- ⇒ CARBON STEEL
- ⇒ 304 STAINLESS STEEL
- ⇒ 316 STAINLESS STEEL
- ⇒ STAINLESS STEEL RESTRAINER BASKETS
- ⇒ 150 P.S.I.
- ⇒ VENT PORTS
- ⇒ GAUGE PORTS
- ⇒ BOTTOM DRAIN PORT
- ⇒ BUNA / EPDM O RING / SEALS
- ⇒ BUILT TO ASME STANDARDS

OPTIONS:

- ⇒ ASME STAMP
- ⇒ O RING / SEAL MATERIAL
- ⇒ INLET / OUTLET LOCATIONS
- ⇒ DUPLEX
- ⇒ VARIOUS RESTRAINER BASKETS





MODEL	# OF BASKETS	STRAINING AREA SQ. FT.	STD PIPE SIZES INCHES	NOMINAL FLOW RATES GPM
18	2	8.8	2,3	400
18	3	13.2	3,4	600
22	4	17.6	3,4	800
24	6	26.4	4,6	1200
30	8	35.2	6,8	1600
36	12	52.8	6,8,10	2400
42	17	74.8	8,10,12	3400

BUILDING A CSD PART NUMBER

0	18	02	30	4L	020	F	4	B	C
TYPE	VESSEL SIZE	# OF BASKETS / ELEMENTS	ELEMENT LENGTH	# OF LUGS	CONNECTION SIZE	CONNECTION STYLE	IN / OUT LOCATION	SEALS	CONSTRUCTION



CSD Custom Service & Design, Inc.

AUBURN HILLS, MI
 PHONE: 248.340.9005
 FAX: 248.340.9002
 WWW.CUSTOMSERVICEANDESIGN.COM

DISTRIBUTED BY: