



Custom Service & Design, Inc.

P.O. Box 214923
AUBURN HILLS, MI 48321

PHONE: 248.340.9005
FAX: 248.340.9002

WWW.CUSTOMSERVICEANDDESIGN.COM

**HEAVY DUTY CARTRIDGE HOUSINGS
BULLETIN: HDCH07-1**

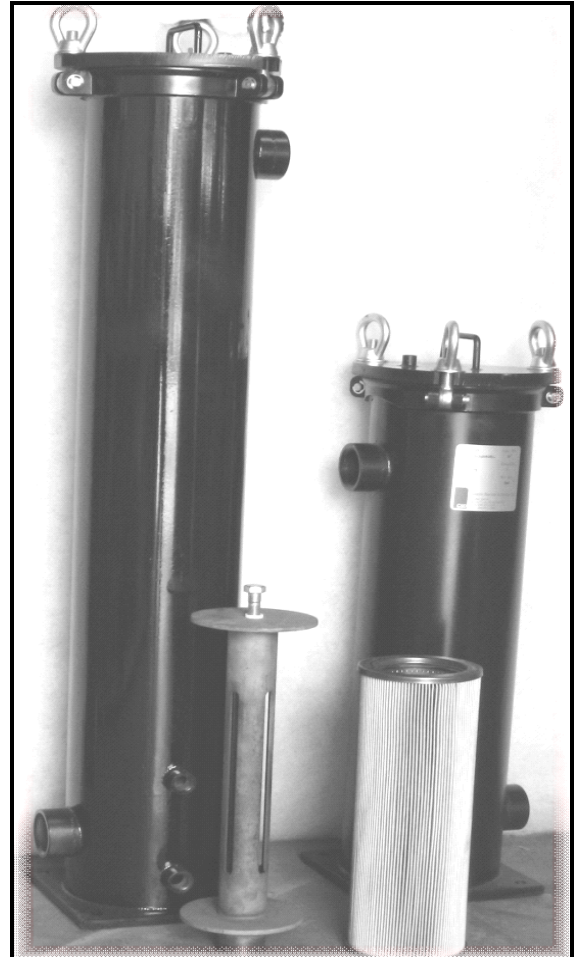
CARTRIDGE VESSEL DESIGN

CSD's CARTRIDGE VESSEL DESIGN IS
SETTING NEW STANDARDS IN THE
FILTRATION INDUSTRY.

UTILIZING INDUSTRY STANDARD
ELEMENTS (6-18 & 6-36) AND
MAINTAINING 100 & 150 PSI RATING.

THIS UNIQUE STATE-OF-THE-ART VESSEL
IS THE MOST COMPETITIVELY PRICED
VESSEL ON THE MARKET.

**CSD OFFERS THE ONLY
INDUSTRIAL GRADE
CARTRIDGE LINE
AVAILABLE TODAY.**

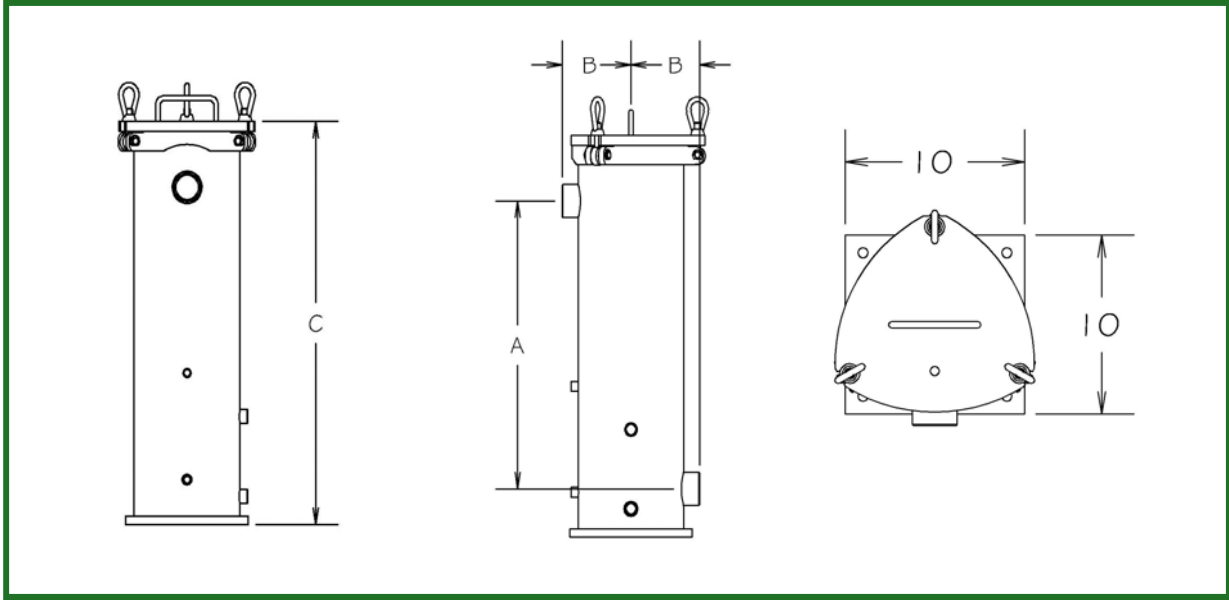


STANDARD FEATURES:

- ⇒ CARBON STEEL; 304 STAINLESS STEEL
- ⇒ 100 PSI DESIGN
- ⇒ 150 PSI DESIGN
- ⇒ ELEMENT INDEPENDENTLY SEALS IN HOUSING
- ⇒ BOLT DOWN LID SEALS VESSEL
- ⇒ 2" NPT SIDE IN / OPPOSITE SIDE OUT
- ⇒ LID VENT 1 PC
- ⇒ GAUGE PORTS 2 PCS
- ⇒ DRAIN PORTS 2 PCS
- ⇒ PERMANENT FLOOR MOUNT WITH BOLT HOLES
- ⇒ REMOVABLE ELEMENT HOLDING ASSEMBLY (KV-KIT)
- ⇒ STANDARD ELEMENTS 6" X 2 5/8" X 18" OR 36"
- * FLOW RATE @ 100 PSI, 60 GPM @ 150 SSU, 1 PSID PER 18" OF ELEMENT

OPTIONS:

- ⇒ INLET & OUTLET SIZES &/OR LOCATIONS
- ⇒ INLET, OUTLET STYLES
- ⇒ ELASTOMERS (SEALS)
- ⇒ ELEMENT MEDIA: PAPER, SYNTHETIC, WATER REMOVAL, COALESCING, ETC.
- ⇒ DUPLEXING, VALVES, DRAINS, GAUGES



Element Length	Size	A	B	C
18"	2" NPT	22"	5 3/4"	32 3/4"
36"	2" NPT	41 1/8"	5 3/4"	50 3/4"

BUILDING A CSD PART NUMBER

C	08	01	36	3L	020	N	1	B	C
TYPE	VESSEL SIZE	# OF BASKETS / ELEMENTS	ELEMENT LENGTH	# OF LUGS	CONNECTION SIZE	CONNECTION STYLE	IN / OUT LOCATION	SEALS	CONSTRUCTION



CSD Custom Service & Design, Inc.

AUBURN HILLS, MI
 PHONE: 248.340.9005
 FAX: 248.340.9002
 WWW.CUSTOMSERVICEANDDESIGN.COM

DISTRIBUTED BY: