

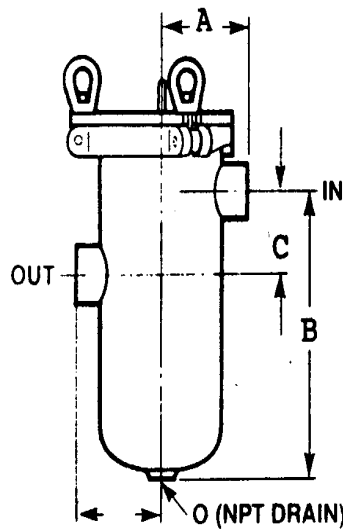
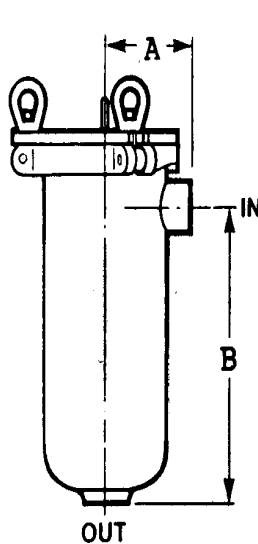


**Custom Service & Design, Inc.**

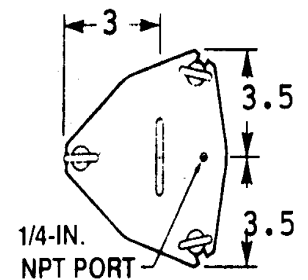
P.O. Box 300141  
DRAYTON PLAINS, MI 48330

PHONE: 248.673.2424  
FAX: 248.673.3345

**VESSEL SPECIFICATION**  
BULLETIN: 041501-1



**EYENUT COVER**



CONNECTION SIZE	A	B	C	D
1"	3.25	16.01	4.3	21.25
1 1/4"	3.25	16.13	4.3	21.37
1 1/2"	3.5	16.75	4.3	21.62
2"	3.37	16.87	4.3	21.75

**STANDARD FEATURES:**

- ⇒ CARBON STEEL
- ⇒ 304 STAINLESS STEEL
- ⇒ 316 STAINLESS STEEL
- ⇒ STAINLESS STEEL RESTRAINER BASKETS
- ⇒ 300/500 P.S.I.
- ⇒ 3-LUG LID DESIGN
- ⇒ SIDE INLET / BOTTOM OUTLET
- ⇒ 1" NPT CONNECTIONS
- ⇒ 1/4" VENT PORT
- ⇒ BUNA/SEALS

**OPTIONS:**

- ⇒ ADDITIONAL INLET/ OUTLET SIZES
- ⇒ FLANGED INLET / OUTLET CONNECTIONS
- ⇒ INLET / OUTLET LOCATION
- ⇒ MANUAL / AUTOMATIC DUPLEXING
- ⇒ O-RING SEAL MATERIAL
- ⇒ RESTRAINER BASKET PERFORMANCE / MESH SIZES
- ⇒ SPECIALTY VESSELS