



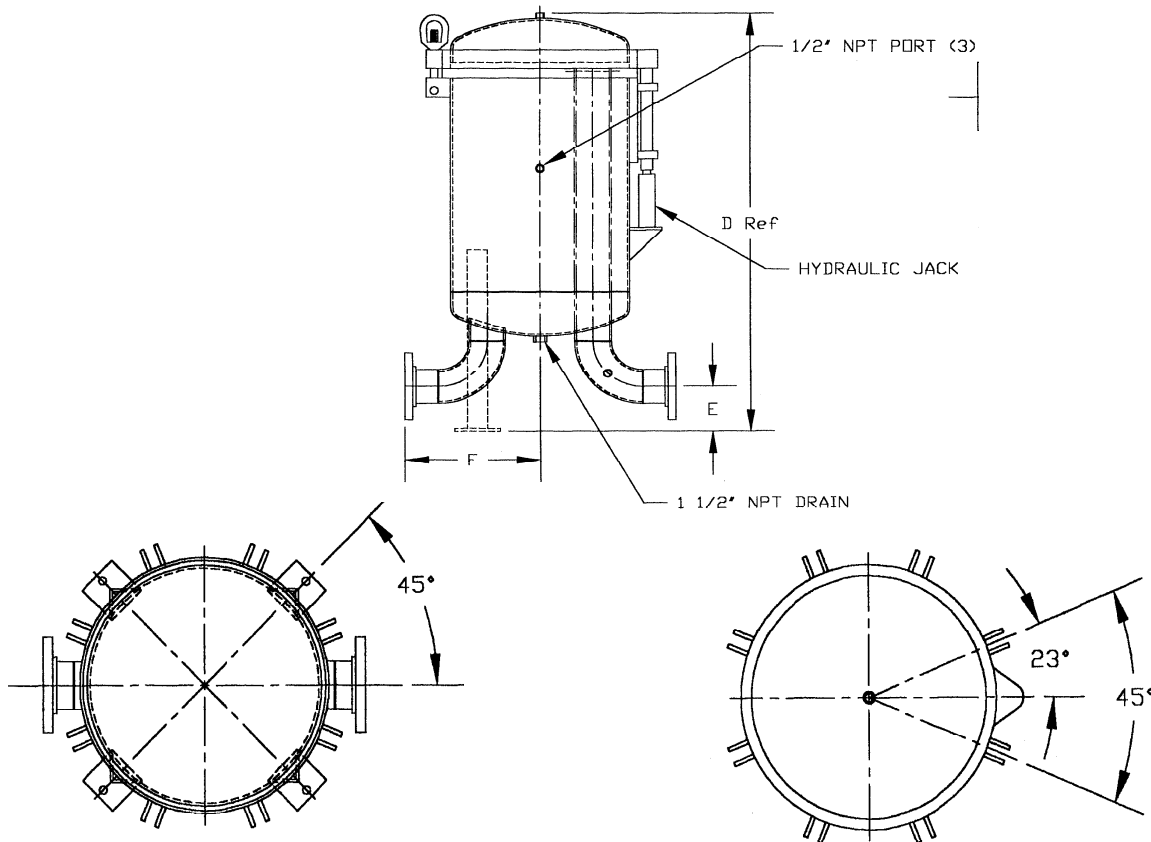
Custom Service & Design, Inc.

P.O. Box 214923
AUBURN HILLS, MI 48321

PHONE: 248.340.9005
FAX: 248.340.9002

WWW.CUSTOMSERVICEANDDDESIGN.COM

**MULTI-BAG VESSEL SPECIFICATION
BULLETIN: 4217-10**



MODEL	NUMBER OF BAGS	INLET & OUTLET	STRAINING AREA / SQ. FT.	MAXIMUM FLOW GPM	D	E	F	APPROX Wt.
4217	17	8"	74.8	3400	72.7	8.25	59.1	1960
4217	17	10"	74.8	3400	87.0	9.5	65.1	2070
4217	17	12"	74.8	3400	81.5	11	72.2	2200

STANDARD FEATURES:

- ⇒ CARBON STEEL
- ⇒ 304 STAINLESS STEEL
- ⇒ 316 STAINLESS STEEL
- ⇒ STAINLESS STEEL RESTRAINER BASKETS
- ⇒ 150 P.S.I.
- ⇒ VENT PORTS
- ⇒ GAUGE PORTS
- ⇒ BOTTOM DRAIN PORT
- ⇒ BUNA / EPDM O RING/SEALS
- ⇒ BUILT TO ASME STANDARDS

OPTIONS:

- ⇒ O RING / SEAL MATERIAL
- ⇒ INLET / OUTLET LOCATIONS
- ⇒ DUPLEX
- ⇒ VARIOUS RESTRAINER BASKETS

