



Custom Service & Design, Inc.

P.O. Box 214923  
AUBURN HILLS, MI 48321

PHONE: 248.340.9005  
FAX: 248.340.9002

WWW.CUSTOMSERVICEANDDESIGN.COM

**HEAVY DUTY CARTRIDGE HOUSINGS  
BULLETIN: HDCH07-1**

## CARTRIDGE VESSEL DESIGN

**CSD's** CARTRIDGE VESSEL DESIGN IS  
SETTING NEW STANDARDS IN THE  
FILTRATION INDUSTRY.

UTILIZING INDUSTRY STANDARD  
ELEMENTS (6-18 & 6-36) AND  
MAINTAINING 100 & 150 PSI RATING.

THIS UNIQUE STATE-OF-THE-ART VESSEL  
IS THE MOST COMPETITIVELY PRICED  
VESSEL ON THE MARKET.

**CSD** MANUFACTURES VESSELS  
THAT ARE AMERICAN MADE &  
INDUSTRIAL GRADE  
ENSURING QUALITY & SAFETY



### STANDARD FEATURES:

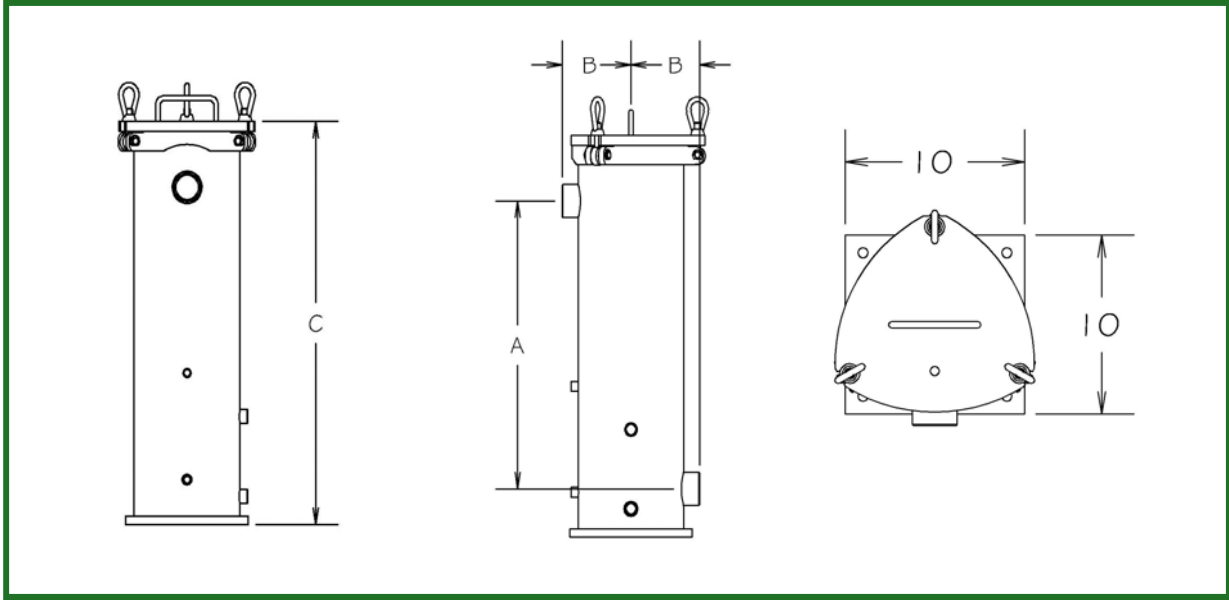
- ⇒ CARBON STEEL; 304 STAINLESS STEEL
- ⇒ 100 PSI DESIGN
- ⇒ 150 PSI DESIGN
- ⇒ ELEMENT INDEPENDENTLY SEALS IN HOUSING
- ⇒ BOLT DOWN LID SEALS VESSEL
- ⇒ 2" NPT SIDE IN / OPPOSITE SIDE OUT
- ⇒ LID VENT 1 PC
- ⇒ GAUGE PORTS 2 PCS
- ⇒ DRAIN PORTS 2 PCS
- ⇒ PERMANENT FLOOR MOUNT WITH BOLT HOLES
- ⇒ REMOVABLE ELEMENT HOLDING ASSEMBLY (KV-KIT)
- ⇒ STANDARD ELEMENTS 6" X 2 5/8" X 18" OR 36"

\* FLOW RATE @ 100 PSI, 60 GPM @ 150 SSU, 1 PSID PER 18" OF ELEMENT

\* Based on housing only. Fluid viscosity, filter element used, and expected dirt loading should be considered when sizing a filter

### OPTIONS:

- ⇒ INLET & OUTLET SIZES &/OR LOCATIONS
- ⇒ INLET, OUTLET STYLES
- ⇒ ELASTOMERS (SEALS)
- ⇒ ELEMENT MEDIA: PAPER, SYNTHETIC, WATER REMOVAL, COALESCING, ETC.
- ⇒ DUPLEXING, VALVES, DRAINS, GAUGES



Element Length	Size	A	B	C
18"	2" NPT	22"	5 3/4"	32 3/4"
36"	2" NPT	41 1/8"	5 3/4"	50 3/4"

BUILDING A CSD PART NUMBER

<b>C</b>	<b>08</b>	<b>01</b>	<b>36</b>	<b>3L</b>	<b>020</b>	<b>N</b>	<b>1</b>	<b>B</b>	<b>C</b>
TYPE	VESSEL SIZE	# OF BASKETS / ELEMENTS	ELEMENT LENGTH	# OF LUGS	CONNECTION SIZE	CONNECTION STYLE	IN / OUT LOCATION	SEALS	CONSTRUCTION



**CSD** Custom Service & Design, Inc.

AUBURN HILLS, MI  
 PHONE: 248.340.9005  
 FAX: 248.340.9002  
 WWW.CUSTOMSERVICEANDDESIGN.COM

DISTRIBUTED BY: