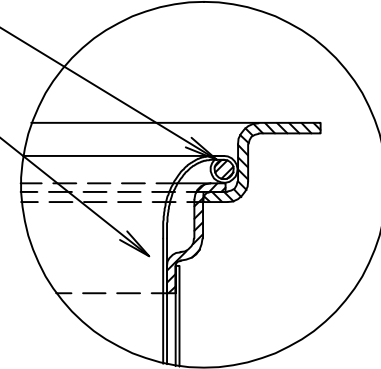


FILTER MEDIA
SEAMED AROUND
METAL RING

P2S SEALING

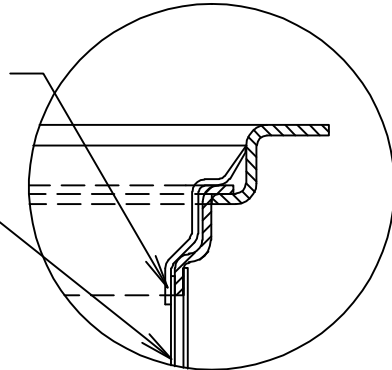
FILTER BAG



FILTER MEDIA
SEAMED AROUND
LOWER FLANGE

P2L SEALING

FILTER BAG



BASKET RING

FILTER BAG

PERFORATED
METAL BASKET

SEALING
SURFACE

CSD

**CUSTOM
SERVICE &
DESIGN INC.**

MATERIAL:

DESCRIPTION:

**MODEL 07A VESSEL
FILTER BAG SEALING
METHODOLOGY DETAIL**

DRN. rjr

DATE 12/7/09

CHK'D

DATE

SCALENTS

PART NO.

07A-P2S / P2L

TOLERANCE

**FRAC ± 1/4
.000 ± .005
.0000 ± .0005**

NOTICE: SCALE ON "A" SIZE PLOTS ONLY